

A

A

B

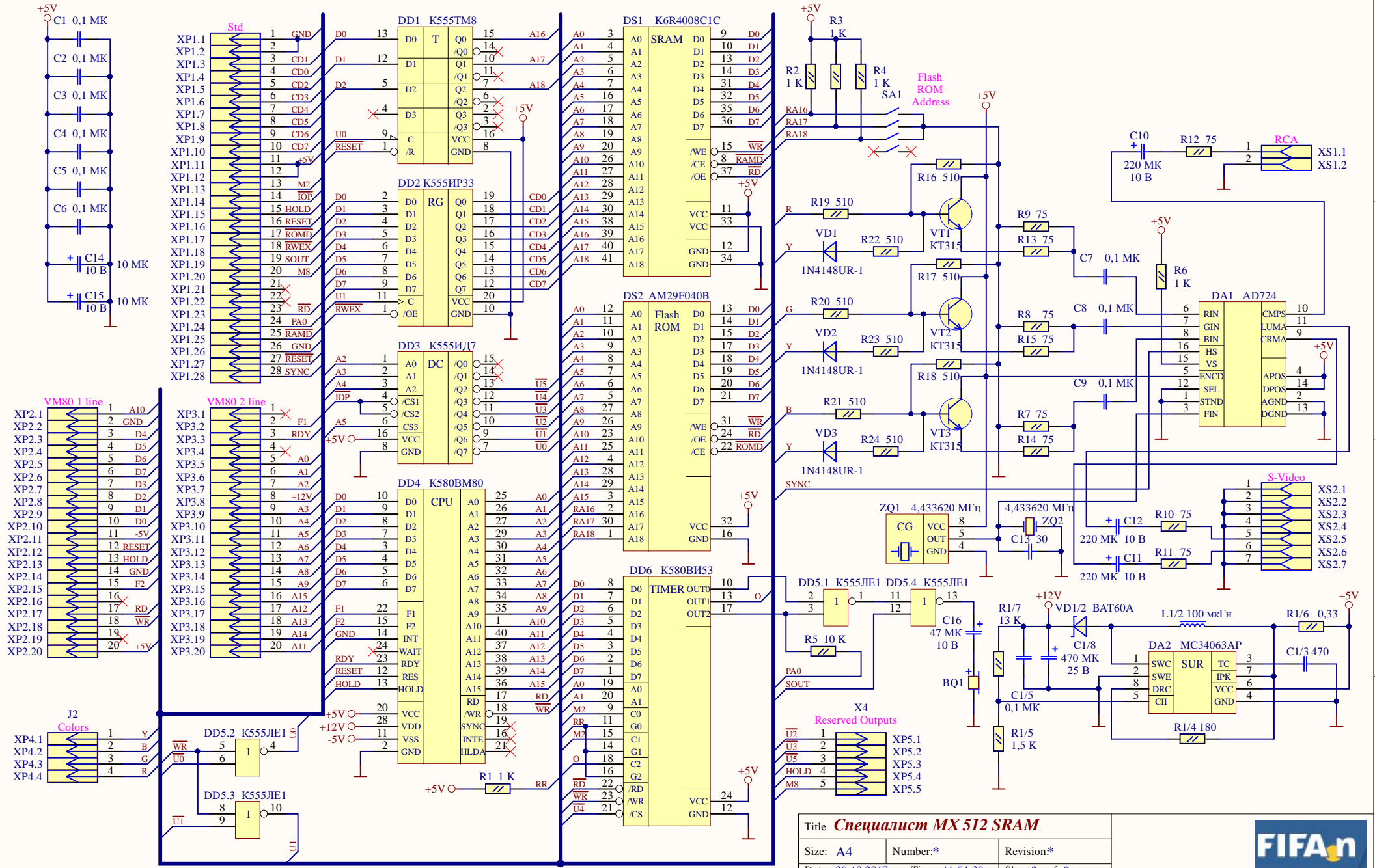
B

C

C

D

D



Title **Специалитет MX 512 SRAM**

Size: A4	Number:*	Revision:*
Date: 29.10.2017	Time: 11:54:39	Sheet* of *
File:		

