

A

A

B

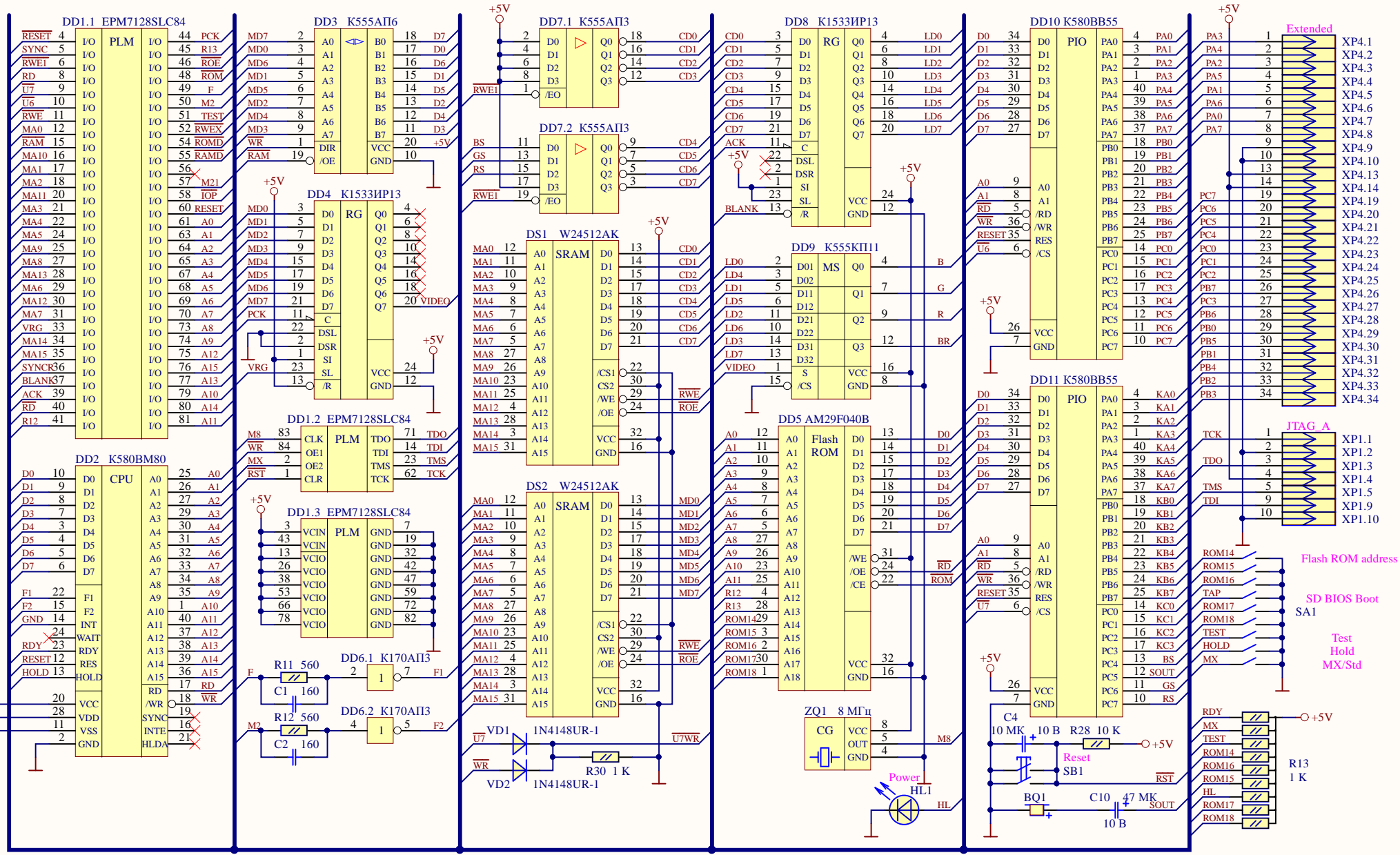
B

C

C


D

D



Title **Специалит 48 SRAM**

Size: A4	Number: 1	Revision:
Date: 28.10.2017	Time: 17:06:25	Sheet 1 of 2
File:		



A

B

C

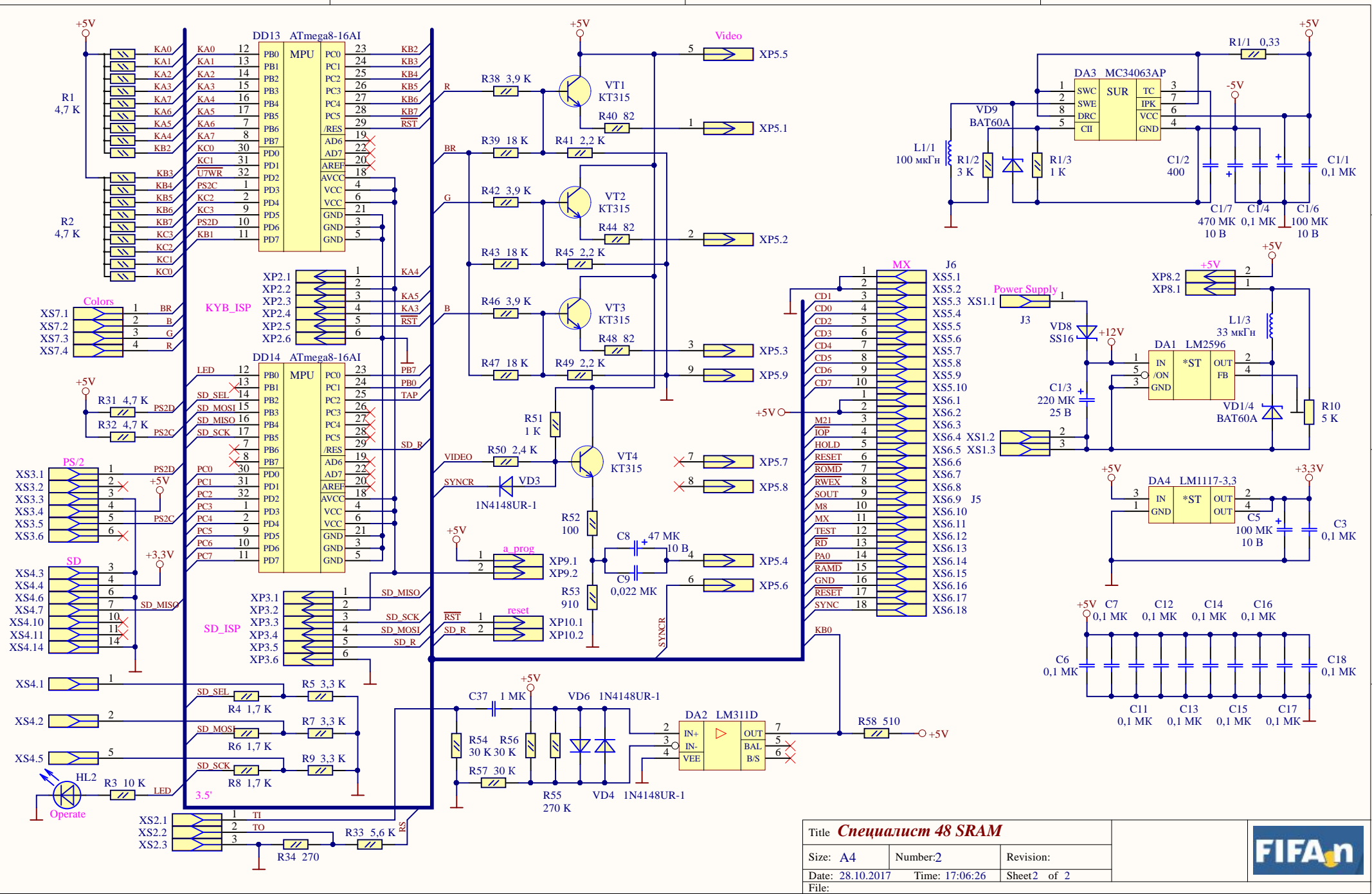
D

A

B

C

D



Title Специалист 48 SRAM		
Size: A4	Number: 2	Revision:
Date: 28.10.2017	Time: 17:06:26	Sheet: 2 of 2
File:		

