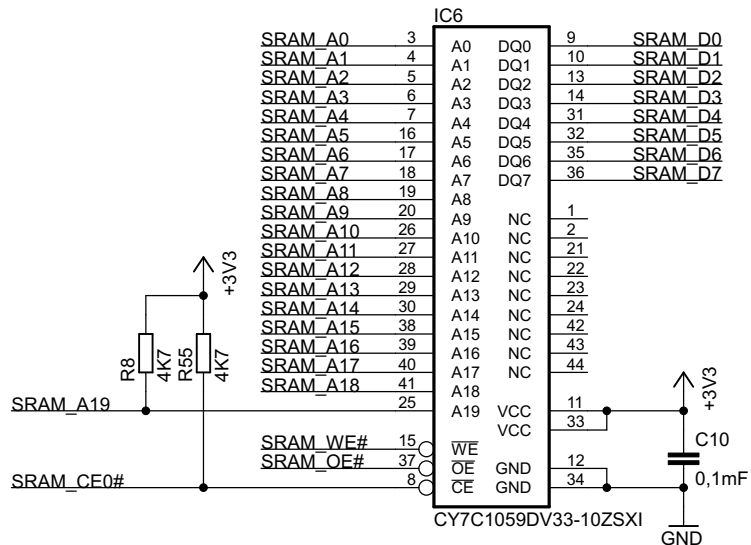


NAME: u10ep3c_12



- 512K SRAM_A19 => NC
R70 => 0R
- 1024K SRAM_A19 => SRAM1 1024K (A19)
R70 => 0R
- SRAM_A19 => SRAM2 512K (CE#)
R70 => 0R
- 2048K SRAM_A19 => SRAM1 1024K (A19)
R70 => NC
SD_PROT => SRAM2 1024K (CE#)

- CY7C1049DV33 512K x 8
- CY7C1059DV33 1024K x 8
- IS61WV5128BLS 512K x 8
- IS64WV5128BLS 512K x 8
- IS61LV10248 1024K x 8
- K6R4008V1C 512K x 8
- K6R4008V1D 512K x 8

